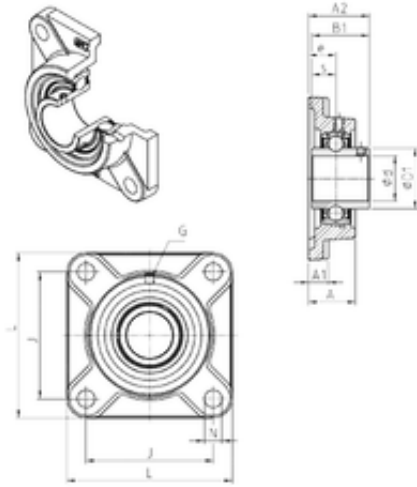




DRIVESHAFT ANDERSON, INC.



SNR UCF314 bearing units

Bearing No. UCF314

Bore Diameter	70 mm
d	70 mm
e	36 mm
s	33 mm
A	61 mm
A1	25 mm
B1	78 mm
D1	94 mm
J	178 mm
L	226 mm
N	25 mm
Thread (G)	M10x1
A2	83 mm
Weight	9,5 Kg
Basic dynamic load rating (C)	104,26 kN

UCF314 Bearing 2D drawings and 3D CAD models