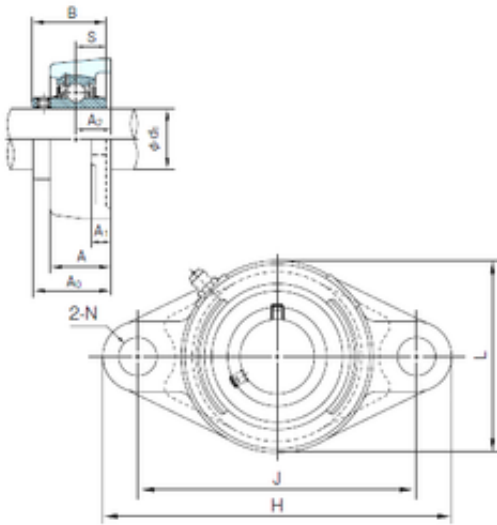




DRIVESHAFT ANDERSON, INC.

NACHI MUCFL208 bearing units

Bearing No. MUCFL208



MUCFL208 Bearing 2D drawings and 3D CAD models

Bore Diameter	40 mm
d	40 mm
A0	51.2 mm
A	36 mm
A1	11 mm
B	49.2 mm
H	175 mm
J	144 mm
L	100 mm
N	16 mm
S	19 mm
Bolt (G)	M14
A2	21 mm