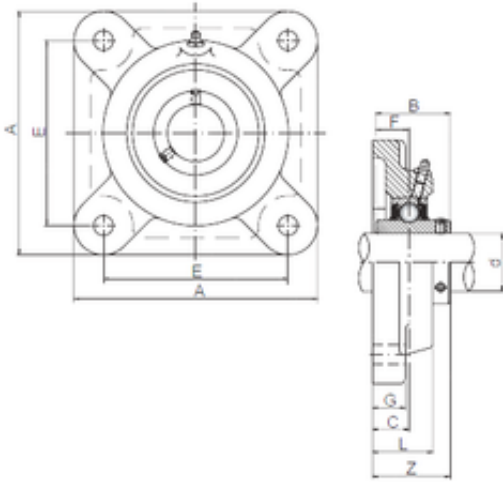




DRIVESHAFT ANDERSON, INC.



ISO UCFX05 bearing units

Bearing No. UCFX05

Bore Diameter	25 mm
Width	38,1 mm
d	25 mm
Z	40,2 mm
A	108 mm
B	38,1 mm
C	18 mm
E	83 mm
F	15,9 mm
G	13 mm
L	30 mm
S	12 mm
Bolt (G)	M10

UCFX05 Bearing 2D drawings and 3D CAD models